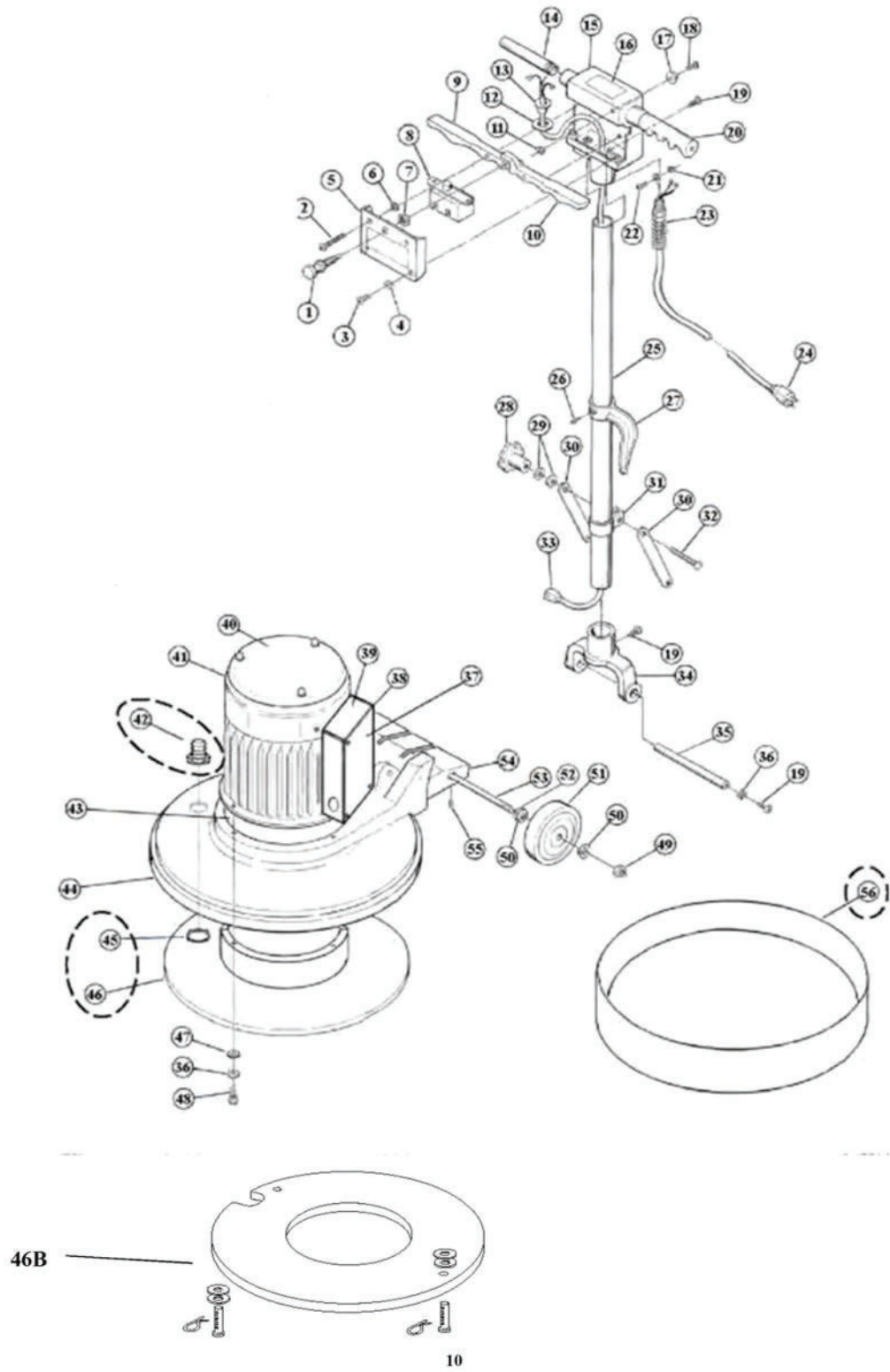


Key	Catalog #	Description	Pk	Wt
485.17 Extreme Machine				
1	485.504810	Interlock Asm Switch-NEW STYLE threaded different	1	0.5
2	485.962011	Screw, 10-32 x 2" O.H. - comes as a 2pk	1	0.2
3	485.962002	Screw, 10-32 x 3/8" O.H. - comes as a 2pk	1	0.2
4	485.960018	DISCONTINUED- #10 C.S. - no longer needed	±	0.2
5	485.486404	DISCONTINUED-new switch box comes w/ cover	±	0.2
6	485.509821	DISCONTINUED-Washer, Rubber-no longer needed	±	0.2
7	485.920005	DISCONTINUED-Nut,Hex(new interlock switch incl.nut)	±	0.2
8	485.508020	Switch Assembly	1	0.5
9	485.505120	Lever, Switch Right	1	0.4
10	485.505121	Lever, Switch Left	1	0.4
11	485.920001	Nut, 10-32 for Bumper	1	0.2
12	485.509830	Washer, Handle Tube	1	0.2
13	485.503320	Strain Relief Bushing	1	0.2
14	485.505720	Handle Bar Left or Right	1	0.4
15	485.481204	DISCONTINUED Switch Box	±	±
15	485.483924.KIT	New Switch Box-*must be pressed on- NO RETURNS*	1	2
16	485.515150	Warning Label	1	0.2
17	485.501210	Bumper, Handle	1	0.4
18	485.962003	Screw, 10-32 x 3/4" P.H.	1	0.2
19	485.962006	Screw, 1/4-20 x 1/2" P.H. - comes as a 6pk	1	0.3
20	485.503711	Handle Grip	1	0.5
	485.501501	DISCONTINUED- Cap, Protective End	±	0.2
21	485.980015	Washer, #10 Ext. Tooth	1	0.2
22	485.962015	Ground Screw, 10-32 x 3/8" P.H.	1	0.2
23	485.508520	Strain Relief-Complete	1	0.2
	485.502020	DISCONTINUED-Strain Relief-Brass Clamp	±	0.2
24	485.502422	Cord Assembly	1	10
25	485.509082	Handle Tube	1	7
26	485.962005	Screw, 1/4-20 x 3/8" Set	1	0.2
27	485.504420	Cord Hook	1	2
28	485.505010	New Turn Lever - replaced old Knob style	1	0.5
29	485.980007	Washer, 5/16 Flat - comes as a 2pk	1	0.2
30	485.500840	Handle Brace - comes as a 2pk	1	2
31	485.502021	Clamp-Handle	1	0.5
32	485.962009	Bolt, Carriage, 5/16-18x2-1/2"	1	0.2
33	485.908004	Handle, Cord	1	16
34	485.509920	Old Style Yoke(small) *must be pressed on- NO RETURNS* - 1 3/8" shaft	1	11
34	485.509921	Yoke Handle(large), *must be pressed on- NO RETURNS* - 1 6/8" shaft	1	12
35	485.507480	Rod-Yoke	1	2
36	485.980002	Washer, 1/4" Lock - comes as a 6pk	1	0.2
37	485.482304	Cover, Capacitor, Box	1	2
38	485.483402	Gasket	1	0.1
39	485.481306	Capacitor Box	1	4
40	485.482303	Drip Cover	1	5
41	485.485202	Motor	1	45
42	485.KD.482401	DISCONTINUED-Connector,Hose,Vac,Base	±	0.5
42	485.17.DC.1-1/2	Hose Connector, Vacuum to Base	1	1
43	485.503537	Gear Assembly	1	NA
44	485.481202	Bumper, Grey	1	6
45	485.KD.920629	Nut for Hose Connector	1	0.2
46	485.481305	DISCONTINUED-Divertor Plate- no longer used	±	9
46-B	485.17.651	Weight, B Type Lower	1	40
47	485.980004	Washer, 1/4" Flat	4	0.2
48	485.962010	Screw, 1/4-20 x 1H.H.	4	0.2
49	485.W502D	Nut, 1/2-13 Hex	2	0.2
50	485.980005	DISCONTINUED-Washer,Wave (use 485.980004)	±	0.2
51	485.509781	DISCONTINUED- 1" Wheels (order 2" for longer axle)	±	4.05
51	485.489703	2", wider wheels, must use longer axle if on old machine	1	5
52	485.509820	DISCONTINUED-Washer,Fiber- no longer used	±	0.2
53	485.487702	DISCONTINUED- old Wheel Axle for 1" wide wheels	±	4.05
53	485.487705	Longer 13" axle for use w/ 2" wide wheels	1	4.5
54	485.483215	Base Frame, Black	1	48
55	485.962016	Set Screw, 10-32 x 3/8"	1	0.2
56	485.17.DC.R	Floating Dust Control Ring	1	6
	485.483925.HD	Handle Assembly Complete, Taylor Mfg. Extreme Machine	1	20



All Prices are Per Unit (ea.)

Key	Catalog #	Description	Pk	Wt
Extreme Machine Gear Head Assembly				
1	485.902007	Bearing, Ring Gear	1	7
2	485.504213	Ring Gear Housing 11:1	1	17
3	485.902016	Bearing, Needle B-96	1	4
4	485.902005	Bearing	1	1
5	485.503511	Gear Idler/OBSOLETE!	3	4
6	485.504218	Gear Housing-3 Idler	1	4
7	485.503519	Pinion, 11:1	1	3
8	485.507701	Shaft Idler	3	6
9	485.902016	Bearing, Needle B-96	1	4
10	485.502317	Cover Ring Gear	1	4
11	485.902015	Bearing	1	9
12	485.902005	Bearing	1	1
14	485.508211	Spacer	6	1
15	485.506604	End Plate	1	13
16	485.507309	Ring-Retaining	1	1
17	485.502402	Coupler, Steel	1	3
18	485.925006	Dowel	2	1
20	485.964169	Screw	6	0.2

Gear Head Assembly

