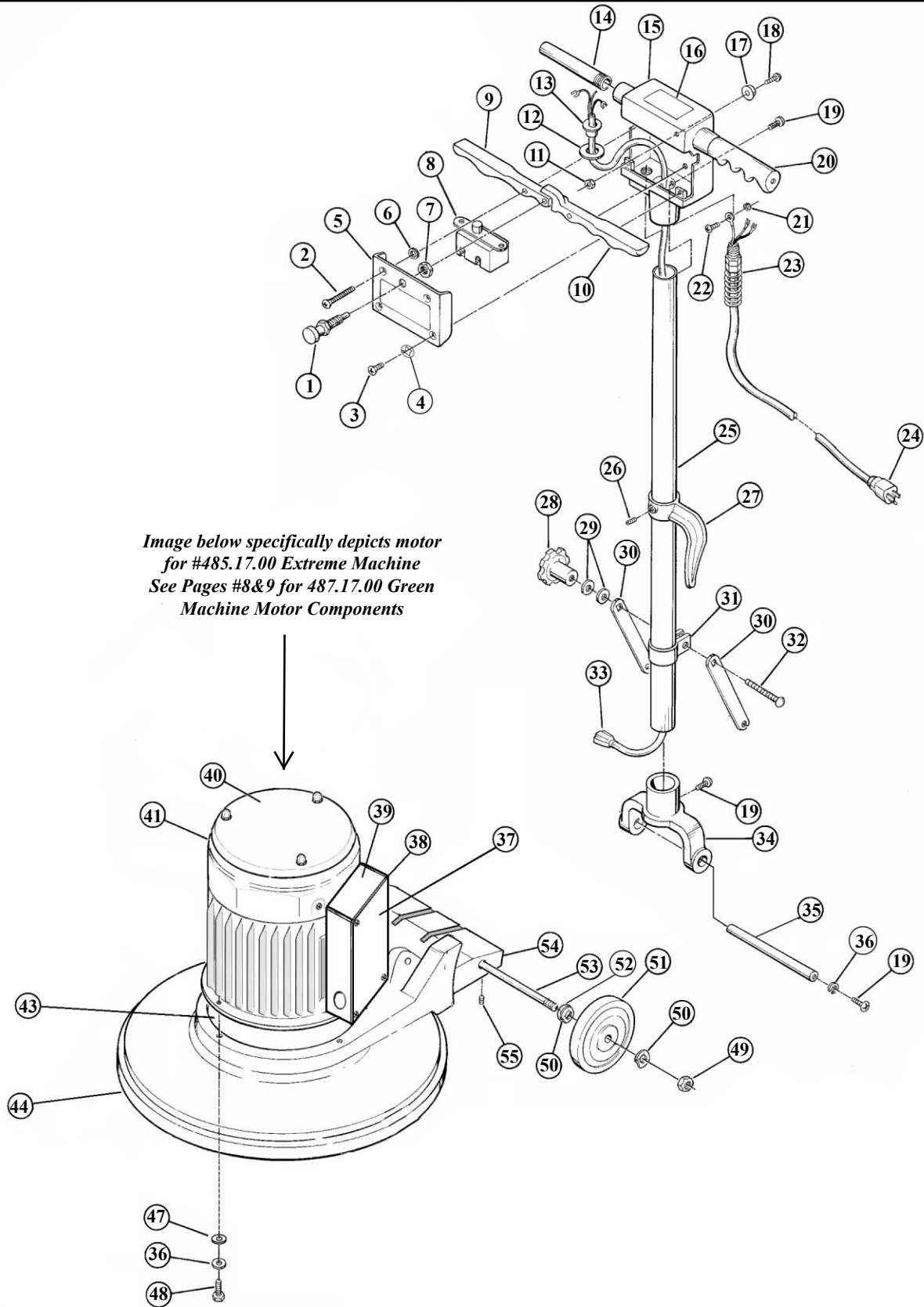
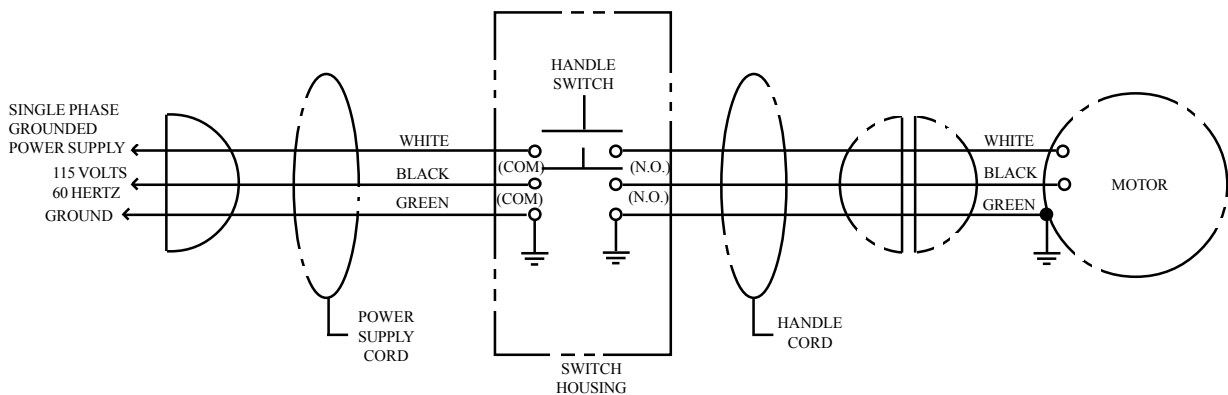


# Extreme & Green Machine Shared Parts List (excl. motors)



## Extreme & Green Machine Shared Parts List (excl. motors)

ITEM	PART NO.	DESCRIPTION	QTY.	ITEM	PART NO.	DESCRIPTION	QTY.
1	504810	Interlock Asm.-Switch	1	26	962005	Screw, 1/4-20 x 3/8 Set	1
2	962011	Screw, 10-32 x 3/4 Oval Hd.	2	27	504420	Cord Hook	1
3	962002	Screw, 10-32 x 1/2 Oval Hd.	2	28	505010	Turn Knob	1
4	980018	Washer, #10 Countersunk	1	29	980007	Washer, 5/16 Flat	2
5	DISCONTINUED	USE NEW PN 485.483924.KIT	1	30	500840	Handle Brace	2
6	DISCONTINUED	USE NEW PN 485.483924.KIT		31	502021	Clamp-Handle	1
7	DISCONTINUED	USE NEW PN 485.483924.KIT	1	32	962009	Bolt, Carriage 5/16-18 x 2-1/2	1
8	508020	Switch Assembly	1	33	908004	Handle Cord	1
9	505120	Lever, Switch Right	1	34	509920	Yoke, Handle	1
10	505121	Lever, Switch Left	1	35	507480	Rod-Yoke	1
11	920001	Nut, 10-32 Elastic Stop	1	36	980002	Washer, 1/4 Lock	6
12	509830	Washer, Handle Tube	1	37	482304	Cover, Capacitor Box	1
13	503320	Flange, Strain Relief	1	38	483402	Gasket	1
14	505720	Handle Nipple	2	39	481306	Capacitor Box	1
15	DISCONTINUED	USE NEW PN 485.483924.KIT	1	40	482303	Drip Cover	1
16	515150	Warning Label	1	41	485202	Motor	1
17	501210	Bumper, Handle	1	43	503537	Gear Asm.Complete	1
18	962003	Screw, 10-32 x 3/4 Pan Hd.	1	44	481202	Bumper, Grey	1
19	962006	Screw, 1/4-20 x 1/2 Pan Hd.	6	47	980004	Washer, 1/4 Flat	4
20	503711	Handle Grip, Grey	2	48	962010	Screw, 1/4-20 x 1HH	4
				49	W502D	Nut, 1/2-13 Hex	2
21	980015	Washer, #10 Ext. Tooth	2	50	980005	DISCONTINUED(use 485.980004)	2
22	962015	Screw, 10-32 x 3/8 Pan Hd.	2	51	509781	DISCONTINUED (order 2" for longer axle)	2
23	508520	Strain Relief-Complete	1	52	509820	DISCONTINUED	2
				53	487702	DISCONTINUED	1
24	502422	Cord Asm.- Yellow	1	54	483215	Base Frame, Black	1
25	509082	Handle Tube	1	55	962016	Screw, 10-32 x 3/8 Set	1



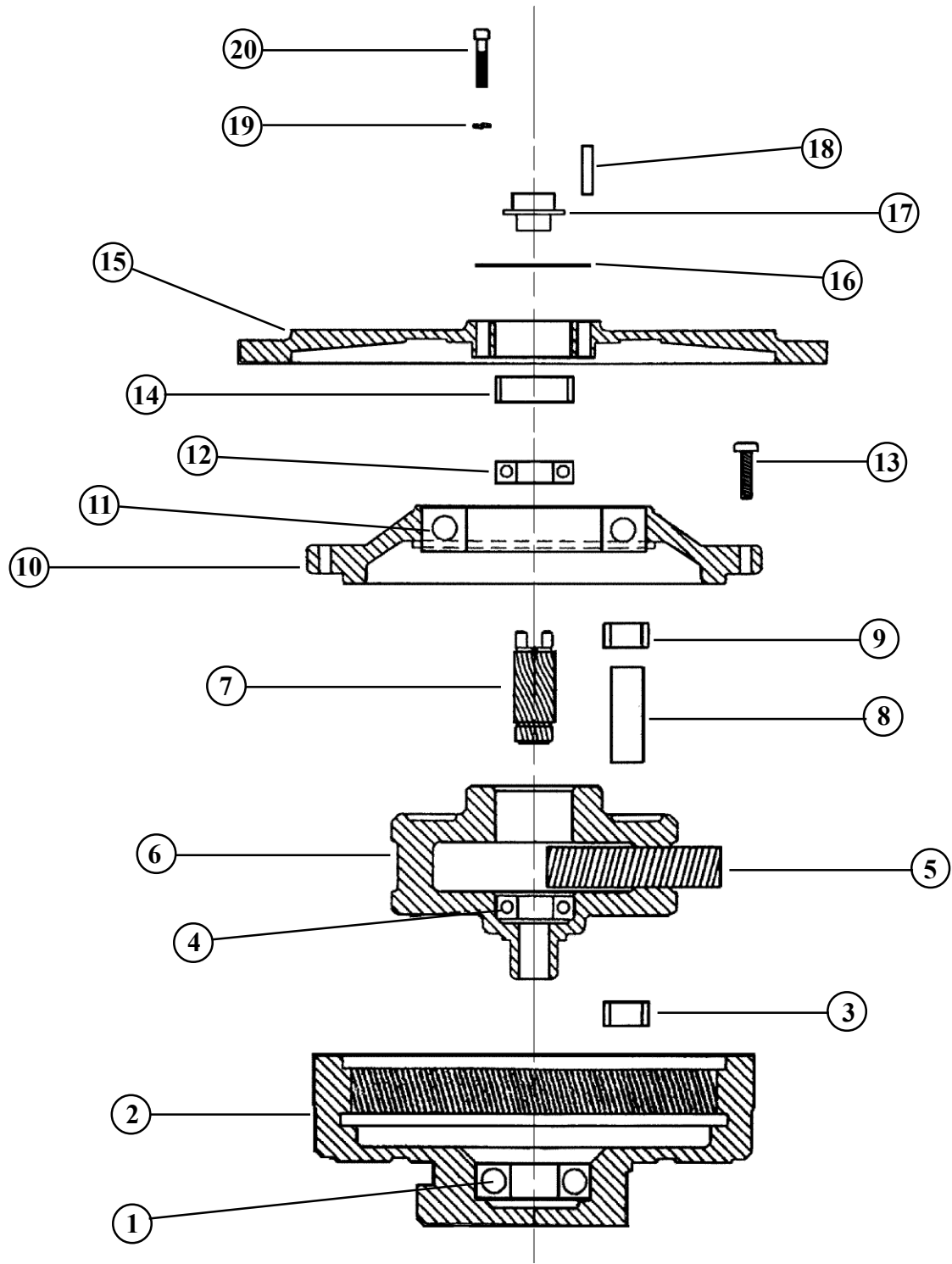
# EXTREME MACHINE MOTOR & GEAR ASSEMBLY PARTS LIST

---

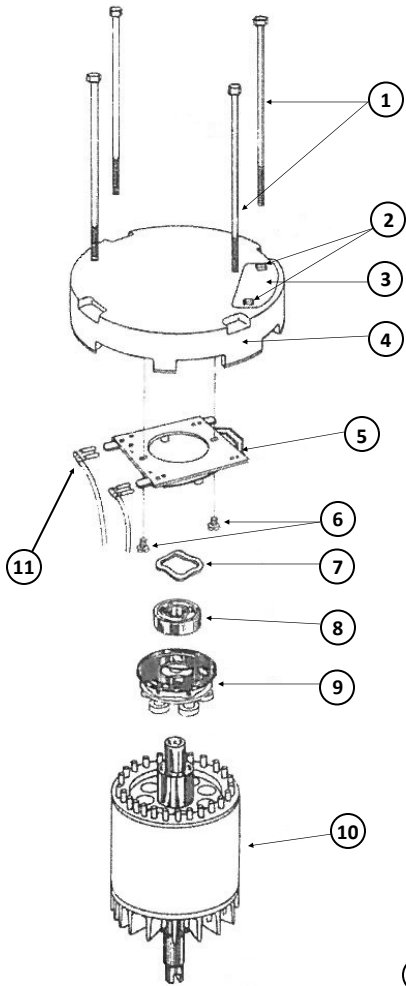
ITEM	PART NO.	DESCRIPTION	QTY.
	<b>485202</b>	<b>Motor Only, 1.5HP 115V 60CY</b>	<b>1</b>
		Baldor #05E611W619G1	
	483101	Stator Assembly	
	480401	Rotor Assembly	
	481306	Capacitor Box (Item 39)	
	483401	Gasket between Capacitor Box & Motor	
	908090	Cord Asm.	
	486604	Endplate	
	960038	Thrubolts	
	483001	External Fan	
	482303	Drip Cover (Item 40)	
	482304	Cover, Capacitor Box (Item 37)	
	483402	Gasket, Cover (Item 38)	
	911238	Run Capacitor	
	911280	Start Capacitor	
	<b>503537</b>	<b>Gear Asm.-11:1 for 1.5 HP-3 Planet</b>	<b>1</b>
1	902007	Bearing, Ring Gear	1
2	504213	Ring Gear Housing-11:1	1
3	902016	Bearing, Needle B-86	1
4	902005	Bearing	1
5	503511	DISCONTINUED	3
6	504218	Gear Housing - 3 Idler	1
7	503519	Pinion, 11:1	1
8	507701	Shaft - Idler	3
9	902016	Bearing, Needle B-86	1
10	502317	Cover - Ring Gear	1
11	902015	Bearing	1
12	902005	Bearing	1
13		Screw, 10-24 x 3/4 Pan Hd	6
14	508211	Spacer	1
15	506604	End Plate	1
16	507309	Ring - Retaining	1
17	502402	Coupler, Steel	1
18	925006	Dowel	2
19		Washer, 1/4" Lock	6
20	964169	Screw	6

# EXTREME MACHINE GEAR ASSEMBLY ILLUSTRATION

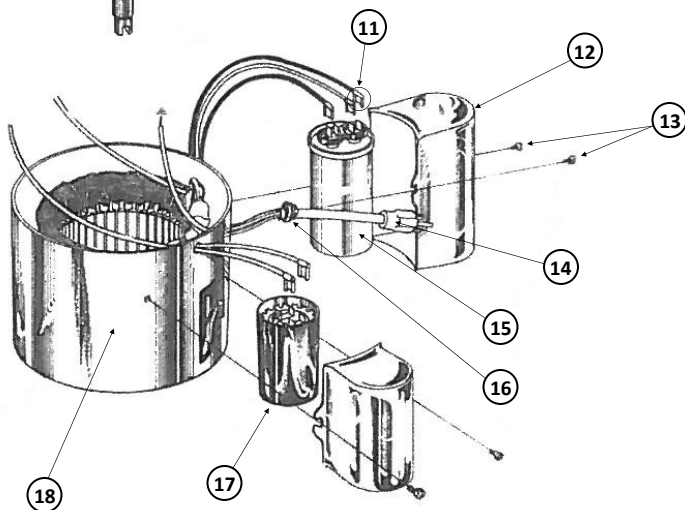
---



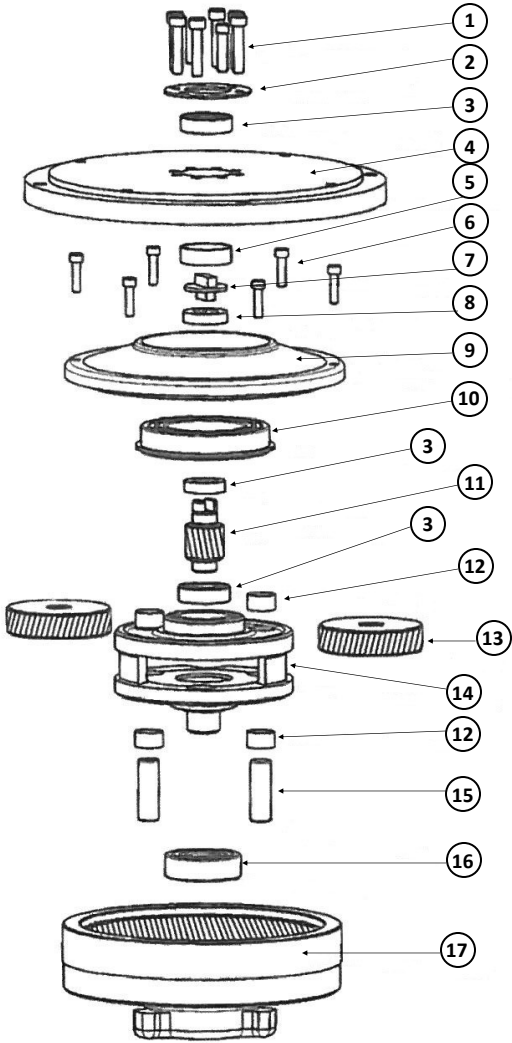
# GREEN MACHINE MOTOR & GEAR ASSEMBLY PARTS LIST



Reference #	Part Number	Description	Required
1	301347	Bolt, Thru	4
2	135406	Screw, Access Cover	2
3	135412	Cover, Wire Connection Access Cover	1
4	135488	Top End Bell	1
5	135496	Switch, Stationary	1
6	135406	Screw, Stationary Switch	2
7	135473	Washer, Tension	1
8	135114	Ball Bearing	1
9	135481	Switch, Centrifugal	1
10	135463	Rotor Assembly with Shaft	1
11	505203	Terminal, Insulated Female Right Angle	7
12	135479	Cover, Capacitor	2
13	135600	Screw, Capacitor Cover	4
14	135636	Motor Lead	1
15	135491	Capacitor, Run	1
16	135625	Strain Relief, Motor	1
17	135492	Capacitor, Start	1
18	135515	Frame and Field Assembly, Chrome	1
	205007	Motor, AC 1.5 HP with Gear Box 110/220v	Box



# GREEN MACHINE 3 PLANET GEARBOX ASSEMBLY 131330



Reference #	Part Number	Description	Required
1	135459	Screw, Cap	6
2	135458	Retainer Plate	1
3	135452	Ball Bearing	3
4	135401	End Shield	1
5	135456	Spacer	1
6	135451	Screw, Housing Cover	6
7	135373	Coupling	1
8	135460	Retainer Shaft	1
9	135444	Gear Box Cover	1
10	135455	Ball Bearing with Span Ring	1
11	135485	Helical Pinion	1
12	135453	Needle Bearing	6
13	135448	Helical Gear	3
14	135466	Planet Cage, 3 Planet	1
15	135339	Idler Shaft	3
16	135454	Ball Bearing	1
17	135450	Gear Box Housing	1
	131330	Gear Box Assembly, 3 Planet Complete	Box